

B1 Pressure Switch



Design Features

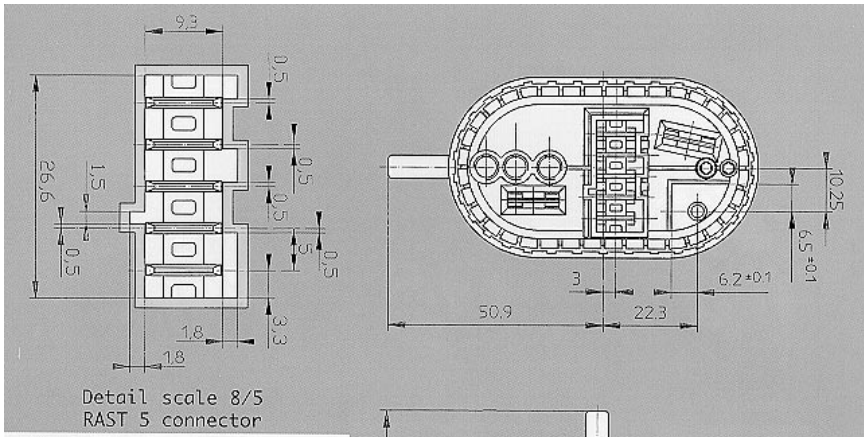
- Functions: 1 level, 1 overflow-protection (optional), heater-safety contact always present
- Terminals:
tabs 6,35 X 0,8 according to IEC 760
group-connector Rast 5
single-connector using Rast 5 Code (without additional isolation)
individual connections: 14, 16
- Levels:
trip value: 25 to 400 mm WC
reset value: 10 to 350 mm WC
hysteresis: min. 10 mm WC, max 130 mm WC
- Contacts: max. 1 change-over switches (option low voltage), 1 overflow protection slow action - normally open contact
- Standard screw mounting or snap-fixation, others on demand

The B1 Pressure Switch incorporates a new compact design and is well-suited to today's low and mid-range clothes washers and dishwashers requiring single level control.

Also suitable for use with either hybrid or full-electronic controls, the B1 allows quick installation and combines high performance for accurate fills to ensure low water and energy consumption, with overflow and dry heater safety.

Specifications

- Current ratings:
16(4) A 250 V ~ main contacts NO
4(4) A 250V ~ main contacts NC or
10(2,5) A 250 V
1(1) A 250 V ~ overflow protection NO
0,1(0,1) A 250 V ~ heater protection
- Tolerance:
main contact: standard ± 5 mm WC
lower tolerance available on request
overflow protection: standard ± 10 mm WC
- Position of the inlet tube: 0°, 90°, 180° or 270°
Central inlet
- Ambient Temperature 85°C max.
- Rel. humidity 95% max.



Detail scale 8/5
RAST 5 connector

